



Hydraulic Pump



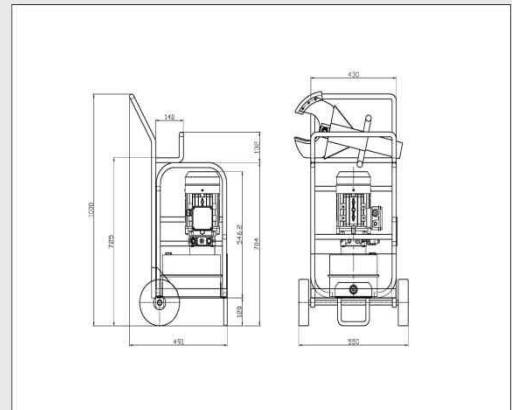
Knife



Cylinder & Knife



Moving Wheel



Applicable Cable	Cable 90 mm and wire diameter 95 mm
Pressure of oil pump	240 bar
Maximum pressure	270 bar
Total Power	2 HP / 1.5 kW
Voltage	220 V~ / 380 V~ - 50/60 Hz
Dimension & weight	(W 550 x L 490 x H 320) mm / 80 kg